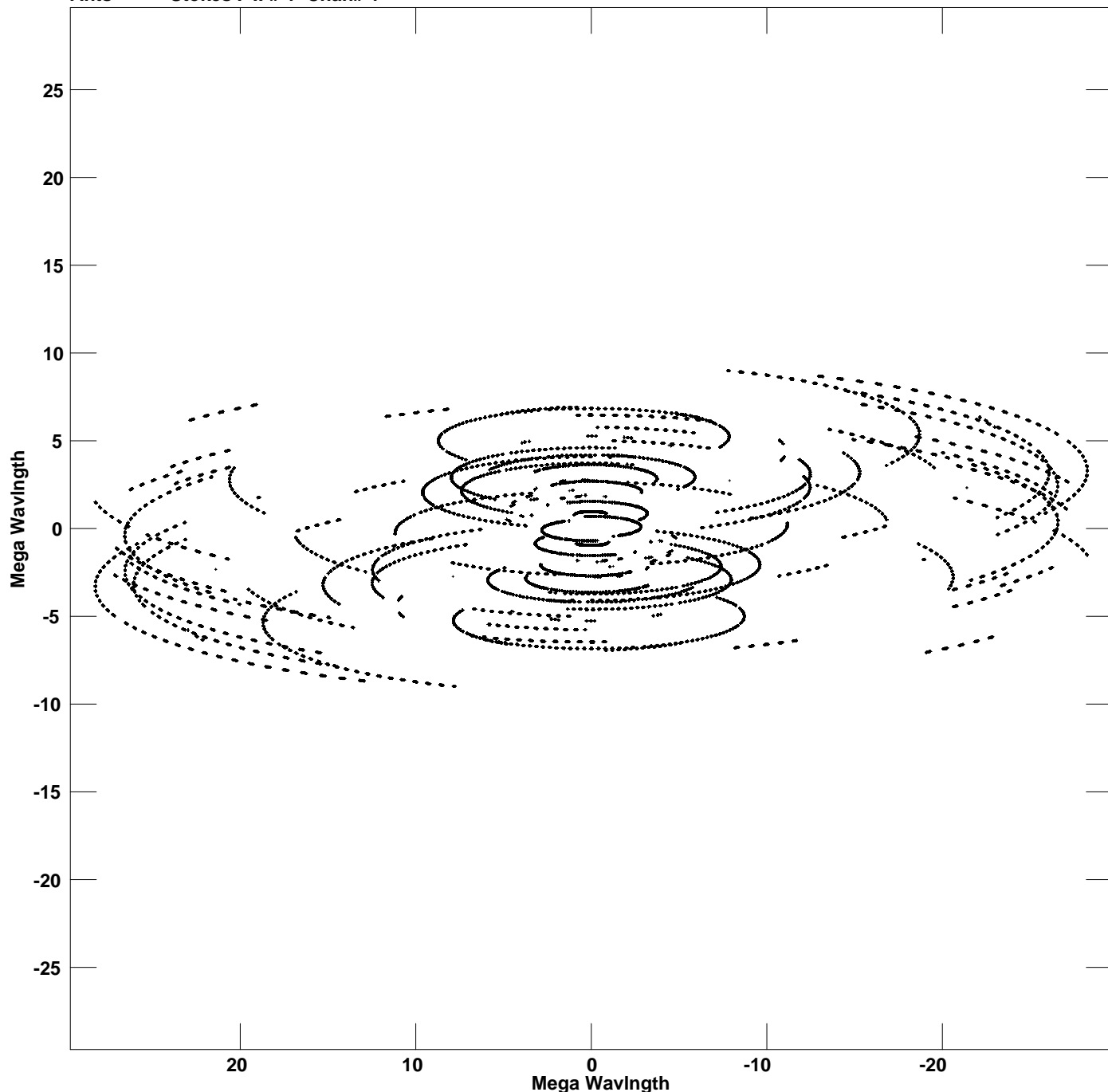


Plot file version 1 created 14-JAN-2014 13:33:18
V vs U for J0143+1215.MULTI.1 Source:J0143+1215
Ants * - * Stokes I IF# 1 Chan# 1



Freq = 1.4164 GHz, Bw = 16.000 MHz